

SECTION **PWO**  
POWER OUTLET

A  
B  
C  
D  
E  
F  
G  
H  
I  
J  
K  
L  
N  
O  
P

CONTENTS

<b>COMPONENT DIAGNOSIS</b> .....	2	<b>PREPARATION</b> .....	7
<b>POWER SOCKET</b> .....	2	<b>PREPARATION</b> .....	7
<b>INSTRUMENT POWER SOCKET</b> .....	2	Commercial Service Tools .....	7
INSTRUMENT POWER SOCKET : Wiring Dia- gram - INSTRUMENT POWER SOCKET - .....	2	<b>ON-VEHICLE REPAIR</b> .....	8
<b>CONSOLE POWER SOCKET</b> .....	3	<b>POWER SOCKET</b> .....	8
CONSOLE POWER SOCKET : Wiring Diagram - CONSOLE POWER SOCKET - .....	4	<b>INSTRUMENT POWER SOCKET</b> .....	8
<b>PRECAUTION</b> .....	6	INSTRUMENT POWER SOCKET : Exploded View .....	8
<b>PRECAUTIONS</b> .....	6	INSTRUMENT POWER SOCKET : Removal and Installation .....	8
Precaution for Supplemental Restraint System (SRS) "AIR BAG" and "SEAT BELT PRE-TEN- SIONER" .....	6	<b>CONSOLE POWER SOCKET</b> .....	8
Precaution for Battery Service .....	6	CONSOLE POWER SOCKET : Exploded View .....	9
		CONSOLE POWER SOCKET : Removal and In- stallation .....	9

PWO

# POWER SOCKET

< COMPONENT DIAGNOSIS >

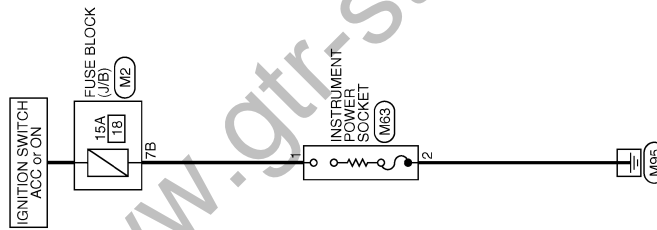
## COMPONENT DIAGNOSIS

POWER SOCKET

INSTRUMENT POWER SOCKET

INSTRUMENT POWER SOCKET : Wiring Diagram - INSTRUMENT POWER SOCKET -

INFOID:000000003926404



INSTRUMENT POWER SOCKET

2008/03/14

JCMIA2090GB

# POWER SOCKET

< COMPONENT DIAGNOSIS >

A  
B  
C  
D  
E  
F  
G  
H  
I  
J  
K  
L  
N  
O  
P

## INSTRUMENT POWER SOCKET

Connector No.	M2
Connector Name	FUSE BLOCK (L/B)
Connector Type	INST/W-GS



Terminal No.	Color of Wire	Signal Name (Specification)
7B	R	-

Connector No.	M83
Connector Name	INSTRUMENT POWER SOCKET
Connector Type	PO2EB-Z



Terminal No.	Color of Wire	Signal Name (Specification)
1	R	-
2	B	-

www.gtr-store.eu

PWO

## CONSOLE POWER SOCKET

JCM/A2091GB

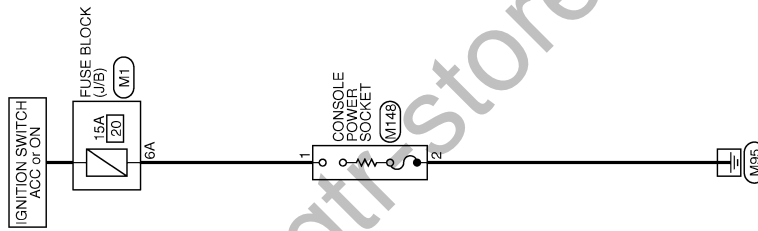
# POWER SOCKET

< COMPONENT DIAGNOSIS >

## CONSOLE POWER SOCKET : Wiring Diagram - CONSOLE POWER SOCKET -

INFOID:000000003926411

CONSOLE POWER SOCKET



www.gtrstore.eu

2008/03/14

JCMIA2092GB

# POWER SOCKET

< COMPONENT DIAGNOSIS >

A  
B  
C  
D  
E  
F  
G  
H  
I  
J  
K  
L  
N  
O  
P

## CONSOLE POWER SOCKET

Connector No.	M1
Connector Name	FUSE BLOCK (L/B)
Connector Type	HS06FW-M2



Terminal No.	Color of Wire	Signal Name [Specification]
6A	Y	-

Connector No.	M148
Connector Name	CONSOLE POWER SOCKET
Connector Type	PO2EB-Z



Terminal No.	Color of Wire	Signal Name [Specification]
1	Y	-
2	B	-

www.gtr-store.eu

PWO

# PRECAUTIONS

< PRECAUTION >

## PRECAUTION

### PRECAUTIONS

#### Precaution for Supplemental Restraint System (SRS) "AIR BAG" and "SEAT BELT PRE-TENSIONER"

INFOID:000000004114372

The Supplemental Restraint System such as "AIR BAG" and "SEAT BELT PRE-TENSIONER", used along with a front seat belt, helps to reduce the risk or severity of injury to the driver and front passenger for certain types of collision. This system includes seat belt switch inputs and dual stage front air bag modules. The SRS system uses the seat belt switches to determine the front air bag deployment, and may only deploy one front air bag, depending on the severity of a collision and whether the front occupants are belted or unbelted. Information necessary to service the system safely is included in the "SRS AIRBAG" and "SEAT BELT" of this Service Manual.

#### **WARNING:**

- **To avoid rendering the SRS inoperative, which could increase the risk of personal injury or death in the event of a collision which would result in air bag inflation, all maintenance must be performed by an authorized NISSAN/INFINITI dealer.**
- **Improper maintenance, including incorrect removal and installation of the SRS, can lead to personal injury caused by unintentional activation of the system. For removal of Spiral Cable and Air Bag Module, see the "SRS AIRBAG".**
- **Never use electrical test equipment on any circuit related to the SRS unless instructed to in this Service Manual. SRS wiring harnesses can be identified by yellow and/or orange harnesses or harness connectors.**

#### Precaution for Battery Service

INFOID:000000004114424

Before disconnecting the battery, lower both the driver and passenger windows. This will prevent any interference between the window edge and the vehicle when the door is opened/closed. During normal operation, the window slightly raises and lowers automatically to prevent any window to vehicle interference. The automatic window function will not work with the battery disconnected.

# PREPARATION

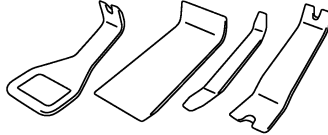
< PREPARATION >

## PREPARATION

### PREPARATION

#### Commercial Service Tools

INFOID:000000003995949

Tool name	Description
Remover tool  P11B7923J	Removing clips, pawls, metal clips

www.gtr-store.eu

A  
B  
C  
D  
E  
F  
G  
H  
I  
J  
K  
L

PWO

N  
O  
P

# POWER SOCKET

< ON-VEHICLE REPAIR >

## ON-VEHICLE REPAIR

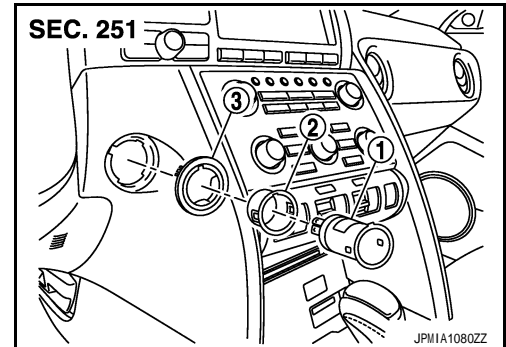
### POWER SOCKET

#### INSTRUMENT POWER SOCKET

#### INSTRUMENT POWER SOCKET : Exploded View

INFOID:000000003926412

- 1 : Inner socket
- 2 : Ring
- 3 : Seal




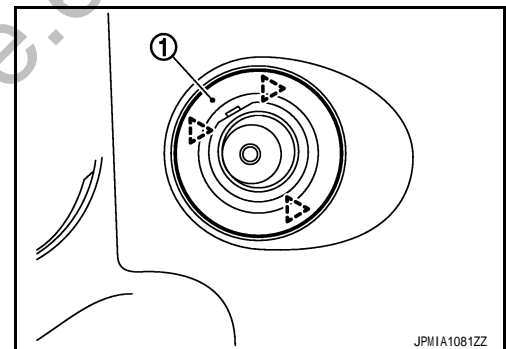
#### INSTRUMENT POWER SOCKET : Removal and Installation

INFOID:000000003926413

##### REMOVAL

1. Remove instrument power socket assembly (1) by using a remover tool.

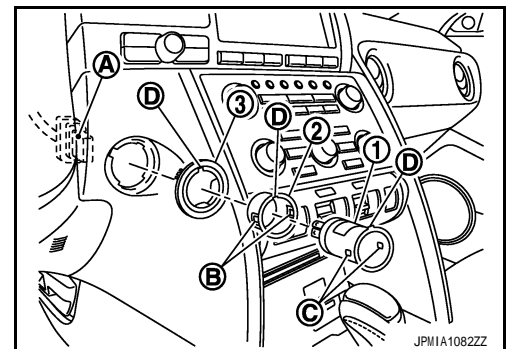
 : Pawl



2. Disconnect power socket connector (A).

- 2 : Ring
- D : Cut out

3. Pull out inner socket (1) by pushing the ring pawl (B) from the inner socket hole (square) (C).
4. Remove seal (3) by pushing the ring pawl.



##### INSTALLATION

Install in the reverse order of removal.

##### NOTE:

Align the cut outs of inner socket, ring, and seal.

#### CONSOLE POWER SOCKET



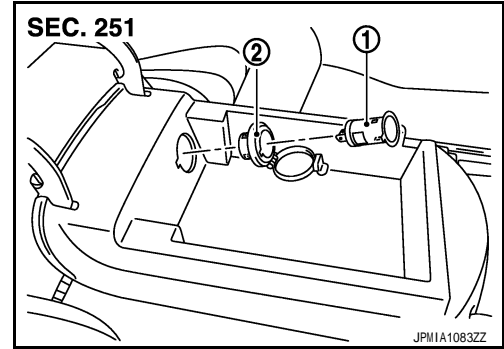
# POWER SOCKET

< ON-VEHICLE REPAIR >

## CONSOLE POWER SOCKET : Exploded View

INFOID:000000003926414

- 1 : Inner socket
- 2 : Ring



## CONSOLE POWER SOCKET : Removal and Installation

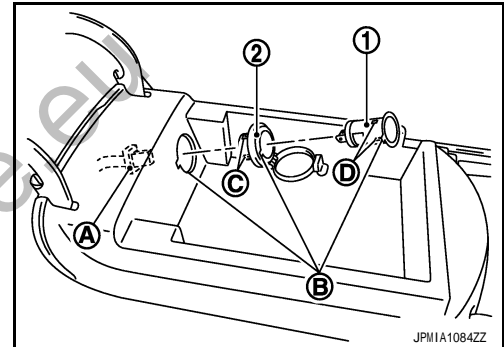
INFOID:000000003926415

### REMOVAL

1. Remove center console assembly. Refer to [IP-21, "Exploded View"](#).
2. Disconnect power socket connector (A).

B : Cut out

3. Pull out inner socket (1) by pushing the ring pawl (C) from the inner socket hole (square) (D).
4. Remove ring (2) from center console assembly while pressing pawls.



### INSTALLATION

Install in the reverse order of removal.

#### NOTE:

Align the cut outs of inner socket, ring, and center console assembly.

A  
B  
C  
D  
E  
F  
G  
H  
I  
J  
K  
L

PWO