

SECTION **SB**
SEAT BELT

A
B
C
D
E
F
G
SB
I
J
K
L
M
N
O
P

CONTENTS

PRECAUTION	2	SEAT BELT BUCKLE : Removal and Installation.....	8
PRECAUTIONS	2	REAR SEAT BELT	9
Precaution for Supplemental Restraint System (SRS) "AIR BAG" and "SEAT BELT PRE-TEN- SIONER"	2	SEAT BELT RETRACTOR	9
Precaution for Battery Service	2	SEAT BELT RETRACTOR : Inspection	9
Precaution for Seat Belt Service	2	SEAT BELT RETRACTOR : Exploded View	11
ON-VEHICLE REPAIR	4	SEAT BELT RETRACTOR : Removal and Instal- lation	11
FRONT SEAT BELT	4	SEAT BELT BUCKLE	11
SEAT BELT RETRACTOR	4	SEAT BELT BUCKLE : Inspection	11
SEAT BELT RETRACTOR : Inspection	4	SEAT BELT BUCKLE : Exploded View	12
SEAT BELT RETRACTOR : Exploded View	6	SEAT BELT BUCKLE : Removal and Installation....	12
SEAT BELT RETRACTOR : Removal and Instal- lation	6	LATCH SYSTEM FOR CHILDREN	13
SEAT BELT BUCKLE	7	Exploded View	13
SEAT BELT BUCKLE : Inspection	7	Removal and Installation	13
SEAT BELT BUCKLE : Exploded View	8	TOP TETHER STRAP CHILD RESTRAINT	14
		Exploded View	14
		Removal and Installation	14

PRECAUTIONS

< PRECAUTION >

PRECAUTION

PRECAUTIONS

Precaution for Supplemental Restraint System (SRS) "AIR BAG" and "SEAT BELT PRE-TENSIONER"

INFOID:000000004062412

The Supplemental Restraint System such as "AIR BAG" and "SEAT BELT PRE-TENSIONER", used along with a front seat belt, helps to reduce the risk or severity of injury to the driver and front passenger for certain types of collision. This system includes seat belt switch inputs and dual stage front air bag modules. The SRS system uses the seat belt switches to determine the front air bag deployment, and may only deploy one front air bag, depending on the severity of a collision and whether the front occupants are belted or unbelted. Information necessary to service the system safely is included in the "SRS AIRBAG" and "SEAT BELT" of this Service Manual.

WARNING:

- To avoid rendering the SRS inoperative, which could increase the risk of personal injury or death in the event of a collision which would result in air bag inflation, all maintenance must be performed by an authorized NISSAN/INFINITI dealer.
- Improper maintenance, including incorrect removal and installation of the SRS, can lead to personal injury caused by unintentional activation of the system. For removal of Spiral Cable and Air Bag Module, see the "SRS AIRBAG".
- Never use electrical test equipment on any circuit related to the SRS unless instructed to in this Service Manual. SRS wiring harnesses can be identified by yellow and/or orange harnesses or harness connectors.

Precaution for Battery Service

INFOID:000000004176320

Before disconnecting the battery, lower both the driver and passenger windows. This will prevent any interference between the window edge and the vehicle when the door is opened/closed. During normal operation, the window slightly raises and lowers automatically to prevent any window to vehicle interference. The automatic window function will not work with the battery disconnected.

Precaution for Seat Belt Service

INFOID:000000004062413

CAUTION:

- Before removing the front seat belt pre-tensioner assembly, turn the ignition switch OFF, disconnect the battery negative terminal and wait at least 3 minutes.
- Never use electrical test equipment for front seat belt pre-tensioner connector.
- After replacing or reinstalling front seat belt pre-tensioner assembly, or reconnecting front seat belt pre-tensioner connector, check the system function. Refer to [SRC-13, "Diagnosis Description"](#).
- Never use disassembled buckle or seat belt assembly.
- Replace anchor bolts if they are deformed or worn out.
- Never oil tongue and buckle.
- If any component of seat belt assembly is questionable, never repair. Replace the entire seat belt assembly.
- If webbing is cut, frayed or damaged, replace seat belt assembly.
- When replacing seat belt assembly, use a Genuine NISSAN seat belt assembly.

AFTER A COLLISION

WARNING:

Inspect all seat belt assemblies including retractors and attached hardware after any collision. NISSAN recommends that all seat belt assemblies in use during a collision be replaced unless the collision was minor and the belts show no damage and continue to operate properly. Failure to do so could result in serious personal injury in an accident. Seat belt assemblies not in use during a collision should also be replaced if either damage or improper operation is noted. Seat belt pre-tensioners should be replaced even if the seat belts are not in use during a frontal collision in which the air bags are deployed.

Replace any seat belt assembly (including anchor bolts) if:

- The seat belt is in use at the time of a collision (except for minor collisions and the belts, retractors and buckles show no damage and continue to operate properly).
- The seat belt is damaged in an accident (i.e. torn webbing, bent retractor or guide).

PRECAUTIONS

< PRECAUTION >

- The seat belt attaching point is damaged in an accident. Inspect the seat belt attaching area for damage or distortion and repair as necessary before installing a new seat belt assembly.
- Anchor bolts are deformed or worn out.
- The front seat belt pre-tensioner must be replaced even if the seat belts are not in use during the collision in which the air bags are deployed.

A

B

C

D

E

F

G

SB

I

J

K

L

M

N

O

P

www.gtr-store.eu

FRONT SEAT BELT

< ON-VEHICLE REPAIR >

ON-VEHICLE REPAIR

FRONT SEAT BELT

SEAT BELT RETRACTOR

SEAT BELT RETRACTOR : Inspection

INFOID:000000004062414

AFTER A COLLISION

WARNING:

Inspect all seat belt assemblies including retractors and attached hardware after any collision. NISSAN/INFINITI recommends that all seat belt assemblies in use during a collision be replaced unless the collision was minor and the belts show no damage and continue to operate properly. If not to do so could result in serious personal injury in an accident. Seat belt assemblies not in use during a collision should also be replaced if either damage or improper operation was noted. Seat belt pre-tensioners should be replaced even if the seat belts were not in use during a frontal collision in which the air bags were deployed.

Replace any seat belt assembly (including anchor bolts) if:

- The seat belt was in use at the time of a collision (except for minor collisions and the belts, retractors and buckles show no damage and continue to operate properly).
- The seat belt was damaged in an accident (i.e. torn webbing, bent retractor or guide, etc.).
- The seat belt attaching point was damaged in an accident. Inspect the seat belt attaching area for damage or distortion and repair if necessary before installing a new seat belt assembly.
- Anchor bolts are deformed or worn out.
- The seat belt pre-tensioners should be replaced even if the seat belts were not in use during the collision in which the air bags were deployed.

PRELIMINARY CHECKS

1. Check the seat belt warning lamp for proper operation as per the following:
 - a. Turn ignition switch ON. The seat belt warning lamp should illuminate.
 - b. Fasten driver seat belt. The seat belt warning lamp should turn OFF.
2. If the air bag warning lamp is blinking, perform self-diagnosis with CONSULT-III and air bag warning lamp. Refer to [SRC-13, "Diagnosis Description"](#).
3. Check that the seat belt retractor, seat belt anchor and buckle bolts are tightened firmly.
4. Check the shoulder seat belt guide and shoulder belt height adjuster for front seats. Check that guide swivels freely and that webbing lays flat and does not bind in guide. Check that height adjuster operates properly and holds securely.
5. Check retractor operation:
 - a. Fully extend the seat belt webbing and check for twists, tears or other damage.
 - b. Allow the seat belt to retract. Check that webbing returns smoothly and completely into the retractor. If the seat belt does not return smoothly, wipe the inside of the loops with a clean paper cloth. Dirt build-up in the loops of the upper anchors can cause the seat belts to retract slowly.
 - c. Fasten the seat belt. Check that seat belt returns smoothly and completely to the retractor. If the webbing does not return smoothly, the cause may be an accumulation of dust or dirt. Use the "SEAT BELT TAPE SET" and perform the following steps.

Inspect the front seat belt through-anchor

1. Pull the seat belt out to a length of 500 mm (19.69 in) or more.
 2. Fix the seat belt at the center pillar webbing opening with a clip or other device.
 3. Pass a thin wire through the through-anchor webbing opening. Hold both ends of the wire and pull it tightly while moving it up and down several times along the webbing opening surface to remove dirt stuck there.
 4. Any dirt that cannot be removed with the wire can be removed by cleaning the opening with a clean cloth.
 5. Apply tape at the point where the webbing contacts the through-anchor webbing opening.

NOTE:
Apply the tape so that there is no slack or wrinkling.
 6. Remove the clip fixing the seat belt and check that the webbing returns smoothly.
6. Repeat steps above if necessary to check the other seat belts.

FRONT SEAT BELT

< ON-VEHICLE REPAIR >

SEAT BELT RETRACTOR ON-VEHICLE CHECK

Emergency Locking Retractors (ELR) and Automatic Locking Retractors (ALR)

NOTE:

All seat belt retractors are Emergency Locking Retractors (ELR) type. In an emergency (sudden stop) the retractor will lock and prevent the webbing from extending any further. All 3-point type seat belt retractors except the driver seat belt also have an Automatic Locking Retractors (ALR) mode. The ALR mode (also called child restraint mode) is used when installing child seats. The ALR mode is activated when the seat belt is fully extended. When the webbing is then retracted partially, the ALR mode automatically locks the seat belt in a specific position so the webbing cannot be extended any further. To cancel the ALR mode, allow the seat belt to fully wind back into the retractor.

Check the seat belt retractors with the following test(s) to determine if a retractor assembly is operating properly.

ELR Function Stationary Check

Grasp the shoulder webbing and pull forward quickly. The retractor should lock and prevent the belt from extending further.

ALR Function Stationary Check

1. Pull out the entire length of seat belt from retractor until a click is heard.
2. Retract the webbing partially. A clicking noise should be heard as the webbing retracts indicating that the retractor is in the Automatic Locking Retractors (ALR) mode.
3. Grasp the seat belt and try to pull out the retractor. The webbing must lock and not extend any further. If it does not operate normally, replace the retractor assembly.
4. Allow the entire length of the webbing to retract to cancel the automatic locking mode.

ELR Function Moving Check

WARNING:

Perform the following test in a safe, open area clear of other vehicles and obstructions (for example, a large, empty parking lot). Road surface must be paved and dry. Never perform the following test on wet or gravel roads or on public streets and highways. This could result in an accident and serious personal injury. The driver and passenger must be prepared to brace themselves in the event that the retractor does not lock.

1. Fasten driver seat belt. Buckle a passenger into the seat for the belt that is to be tested.
2. Proceed to the designated safe area.
3. Drive the vehicle at approximately 16 km/h (10 MPH). Notify any passengers of a pending sudden stop and the driver and passenger must be prepared to brace themselves in the event that the retractor does not lock. Apply brakes firmly and make a very hard stop.

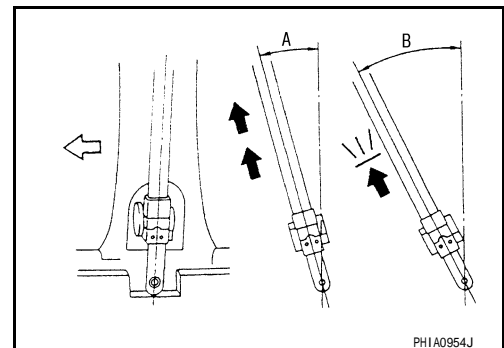
During stopping, seat belts should lock and not be extended. If the seat belt retractor assembly does not lock, perform the retractor off-vehicle check.

SEAT BELT RETRACTOR OFF-VEHICLE CHECK

1. Remove the front seat belt retractor. Refer to [SB-6, "SEAT BELT RETRACTOR : Removal and Installation"](#).
2. Slowly pull out webbing while tilting the retractor assembly forward from the mounted position without twisting the retractor assembly as shown in the figure.
 - The webbing can be pulled out when the angle (A) is 15 degrees or less.
 - The webbing cannot be pulled out when the angle (B) is 27 degrees or more.

A and B : Tilting angles

← : Vehicle front



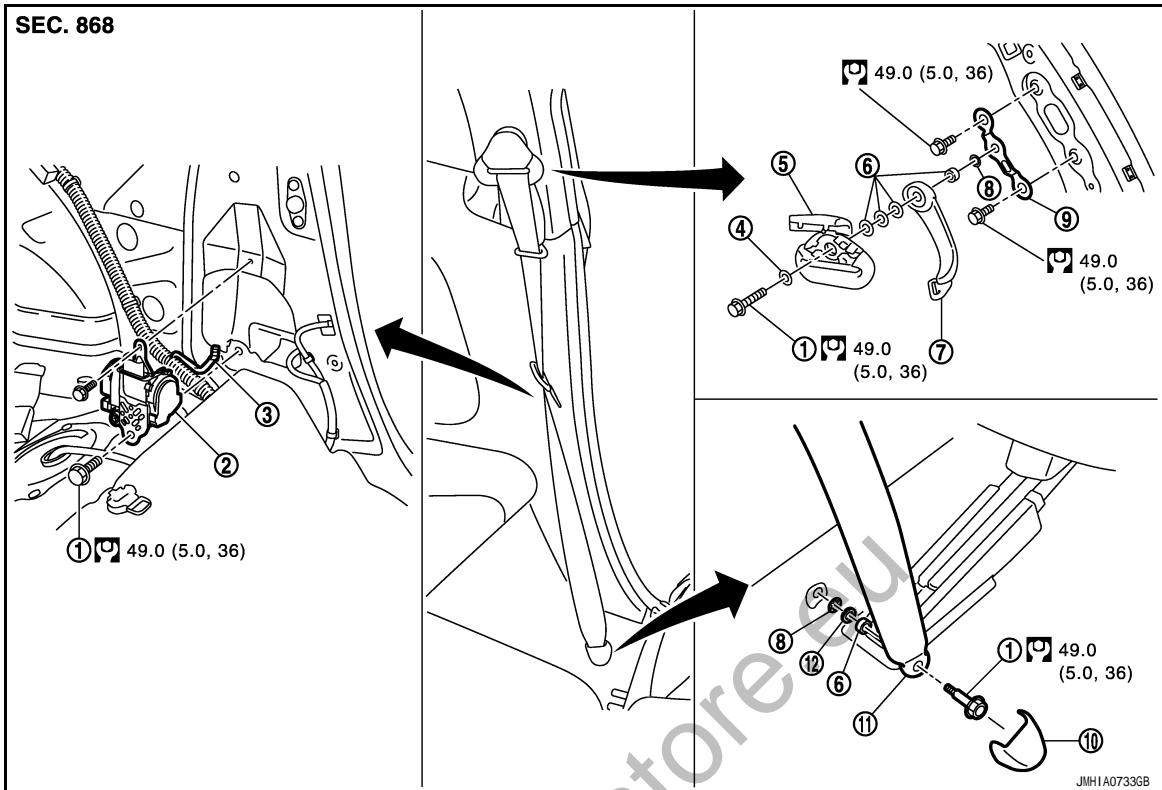
3. Replace the seat belt assembly if it does not operate normally.

FRONT SEAT BELT

< ON-VEHICLE REPAIR >

SEAT BELT RETRACTOR : Exploded View

INFOID:000000003854551



- | | | |
|------------------------|--------------------------------------|--------------------------------------|
| 1. Anchor bolt | 2. Seat belt pre-tensioner retractor | 3. Seat belt pre-tensioner connector |
| 4. Plastic washer | 5. Shoulder anchor | 6. Spacer |
| 7. Seat belt extension | 8. Retaining washer | 9. Shoulder anchor bracket |
| 10. Anchor cover | 11. Outer anchor | 12. Spring washer |

Refer to [GI-4. "Components"](#) for symbols in the figure.

SEAT BELT RETRACTOR : Removal and Installation

INFOID:000000003854552

REMOVAL

CAUTION:

Before removal or installation, always turn the ignition switch OFF and disconnect the battery negative terminal, then wait for at least 3 minutes.

1. Remove the kicking plate inner and the rear side finisher. Refer to [INT-14. "Removal and Installation"](#).
2. Remove the outer anchor.
 - Remove the outer anchor cover.
 - Remove the outer anchor mounting anchor bolt.
3. Remove the shoulder anchor.
 - Remove the shoulder anchor cover.
 - Remove the shoulder anchor mounting anchor bolt.
4. Remove the rear pillar finisher. Refer to [INT-14. "Removal and Installation"](#).
5. Remove the seat belt pre-tensioner retractor.

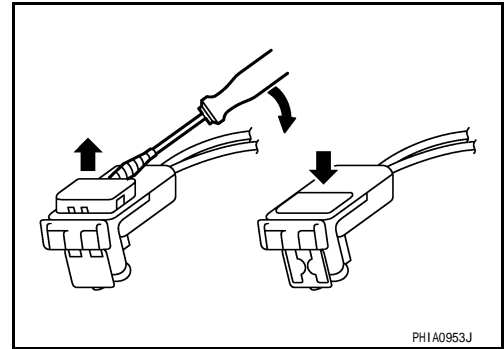
FRONT SEAT BELT

< ON-VEHICLE REPAIR >

- Disconnect the seat belt pre-tensioner connector.

NOTE:

- To disconnect or connect the seat belt pre-tensioner connector, insert a screwdriver wrapped with tape into the cutout, and raise the lock to disconnect the connector.
- Connect the connector while raising the lock, and push the lock into the connector.
- After installing the connector, check that the lock is pushed securely into it.



- Remove the seat belt pre-tensioner retractor mounting anchor bolt and screw.

6. Remove the shoulder anchor bracket.
Remove the shoulder anchor bracket mounting bolts.

INSTALLATION

Install in the reverse order of removal.

SEAT BELT BUCKLE

SEAT BELT BUCKLE : Inspection

INFOID:000000003854553

Post-accident inspection

After a collision, check all parts of the installed seat belt assembly (including the retractor). Then, check the installed seat belt portion for damage or deformation. When a collision occurs, damage/deformation is detected, or operation is not normal, NISSAN recommends replacement of seat belt assembly. If replacement is not performed, serious personal injury may occur.

If the following conditions occur, replace the seat belt:

- When the seat belt is damaged
- When the installed seat belt portion is damaged (before installing a new seat belt, check the installed portion for damage or deformation)
- When an air bag is deployed in an accident whether it is used or not (only for models with seat belt pre-tensioner)
- When the seat belt does not operate normally

Preliminary check

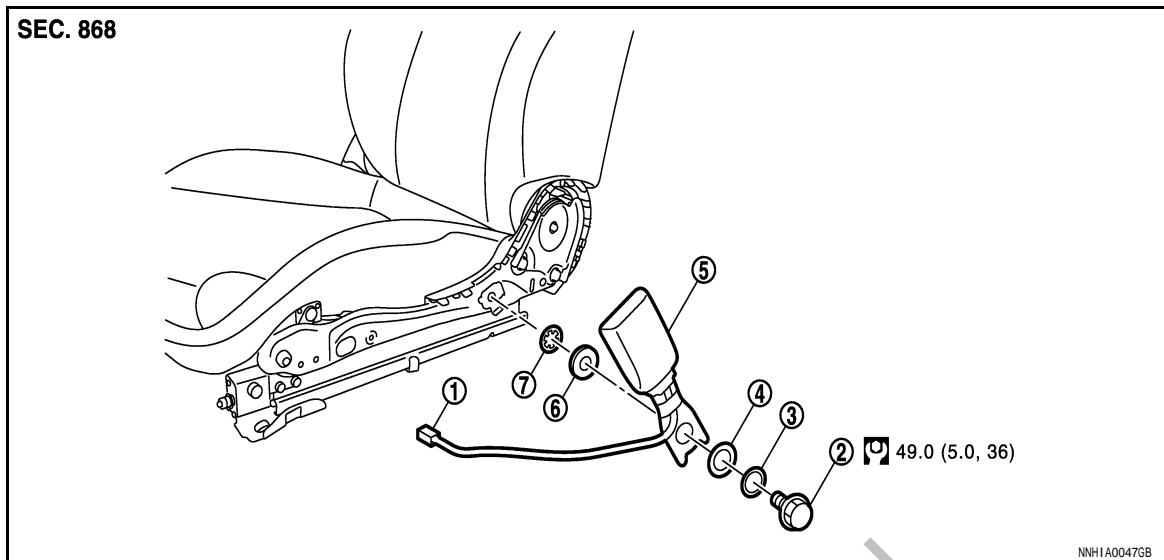
1. Using the seat belt warning lamp, check that the seat belt buckle switch works normally.
When the ignition switch is turned ON with the seat belt not in use, the seat belt warning lamp turns ON.
When the seat belt is fastened, the seat belt warning lamp turns OFF.
2. Check that anchor bolts on the seat belt retractor and buckle are securely tightened.

FRONT SEAT BELT

< ON-VEHICLE REPAIR >

SEAT BELT BUCKLE : Exploded View

INFOID:000000003854554



- | | | |
|--------------------------------------|---------------------|----------------|
| 1. Seat belt buckle switch connector | 2. Anchor bolt | 3. Wave washer |
| 4. Plain washer | 5. Seat belt buckle | 6. Spacer |
| 7. Retaining washer | | |

Refer to [GI-4, "Components"](#) for symbols in the figure.

SEAT BELT BUCKLE : Removal and Installation

INFOID:000000003854555

REMOVAL

1. Remove the front seat from the vehicle. Refer to [SE-32, "Removal and Installation"](#).
2. Remove the seat belt buckle.
 - Remove the seat cushion inner finisher. Refer to [SE-33, "Disassembly and Assembly"](#).
 - Disconnect the seat belt buckle switch connector and remove the harness clamp.
 - Remove the seat belt buckle mounting anchor bolt.

INSTALLATION

Install in the reverse order of removal.

REAR SEAT BELT

< ON-VEHICLE REPAIR >

REAR SEAT BELT SEAT BELT RETRACTOR

SEAT BELT RETRACTOR : Inspection

INFOID:000000004062415

AFTER A COLLISION

WARNING:

Inspect all seat belt assemblies including retractors and attached hardware after any collision. NISSAN/INFINITI recommends that all seat belt assemblies in use during a collision be replaced unless the collision was minor and the belts show no damage and continue to operate properly. If not to do so could result in serious personal injury in an accident. Seat belt assemblies not in use during a collision should also be replaced if either damage or improper operation was noted. Seat belt pre-tensioners should be replaced even if the seat belts were not in use during a frontal collision in which the air bags were deployed.

Replace any seat belt assembly (including anchor bolts) if:

- The seat belt was in use at the time of a collision (except for minor collisions and the belts, retractors and buckles show no damage and continue to operate properly).
- The seat belt was damaged in an accident (i.e. torn webbing, bent retractor or guide, etc.).
- The seat belt attaching point was damaged in an accident. Inspect the seat belt attaching area for damage or distortion and repair if necessary before installing a new seat belt assembly.
- Anchor bolts are deformed or worn out.
- The seat belt pre-tensioners should be replaced even if the seat belts were not in use during the collision in which the air bags were deployed.

PRELIMINARY CHECKS

1. Check that the seat belt retractor, seat belt anchor and buckle bolts are tightened firmly.
2. Check retractor operation:
 - a. Fully extend the seat belt webbing and check for twists, tears or other damage.
 - b. Allow the seat belt to retract. Check that webbing returns smoothly and completely into the retractor. If the seat belt does not return smoothly, wipe the inside of the loops with a clean paper cloth. Dirt build-up in the loops of that upper anchors can cause the seat belts to retract slowly.
 - c. Fasten the seat belt. Check that seat belt returns smoothly and completely to the retractor. If the webbing does not return smoothly, the cause may be an accumulation of dust or dirt. Use the "SEAT BELT TAPE SET" and perform the following steps.
3. Repeat steps above if necessary to check the other seat belts.

SEAT BELT RETRACTOR ON-VEHICLE CHECK

Emergency Locking Retractors (ELR) and Automatic Locking Retractors (ALR)

NOTE:

All seat belt retractors are Emergency Locking Retractors (ELR) type. In an emergency (sudden stop) the retractor will lock and prevent the webbing from extending any further. All 3-point type seat belt retractors except the driver seat belt also have an Automatic Locking Retractors (ALR) mode. The ALR mode (also called child restraint mode) is used when installing child seats. The ALR mode is activated when the seat belt is fully extended. When the webbing is then retracted partially, the ALR mode automatically locks the seat belt in a specific position so the webbing cannot be extended any further. To cancel the ALR mode, allow the seat belt to fully wind back into the retractor.

Check the seat belt retractors with the following test(s) to determine if a retractor assembly is operating properly.

ELR Function Stationary Check

Grasp the shoulder webbing and pull forward quickly. The retractor should lock and prevent the belt from extending further.

ALR Function Stationary Check

1. Pull out the entire length of seat belt from retractor until a click is heard.
2. Retract the webbing partially. A clicking noise should be heard as the webbing retracts indicating that the retractor is in the Automatic Locking Retractors (ALR) mode.

REAR SEAT BELT

< ON-VEHICLE REPAIR >

3. Grasp the seat belt and try to pull out the retractor. The webbing must lock and not extend any further. If it does not operate normally, replace the retractor assembly.
4. Allow the entire length of the webbing to retract to cancel the automatic locking mode.

ELR Function Moving Check

WARNING:

Perform the following test in a safe, open area clear of other vehicles and obstructions (for example, a large, empty parking lot). Road surface must be paved and dry. Never perform the following test on wet or gravel roads or on public streets and highways. This could result in an accident and serious personal injury. The driver and passenger must be prepared to brace themselves in the event that the retractor does not lock.

1. Fasten driver seat belt. Buckle a passenger into the seat for the belt that is to be tested.
2. Proceed to the designated safe area.
3. Drive the vehicle at approximately 16 km/h (10 MPH). Notify any passengers of a pending sudden stop and the driver and passenger must be prepared to brace themselves in the event that the retractor does not lock. Apply brakes firmly and make a very hard stop.

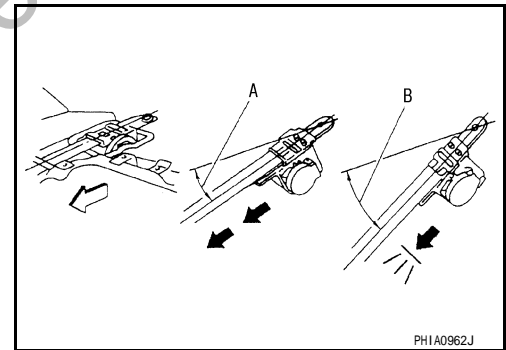
During stopping, seat belts should lock and not be extended. If the seat belt retractor assembly does not lock, perform the retractor off-vehicle check.

SEAT BELT RETRACTOR OFF-VEHICLE CHECK

1. Remove the rear seat belt retractor. Refer to [SB-11, "SEAT BELT RETRACTOR : Removal and Installation"](#).
2. Slowly pull out webbing while tilting the retractor assembly forward from the mounted position without twisting the retractor assembly as shown in the figure.
 - The webbing can be pulled out when the angle (A) is 15 degrees or less.
 - The webbing cannot be pulled out when the angle (B) is 27 degrees or more.

A and B : Tilting angles

← : Vehicle front



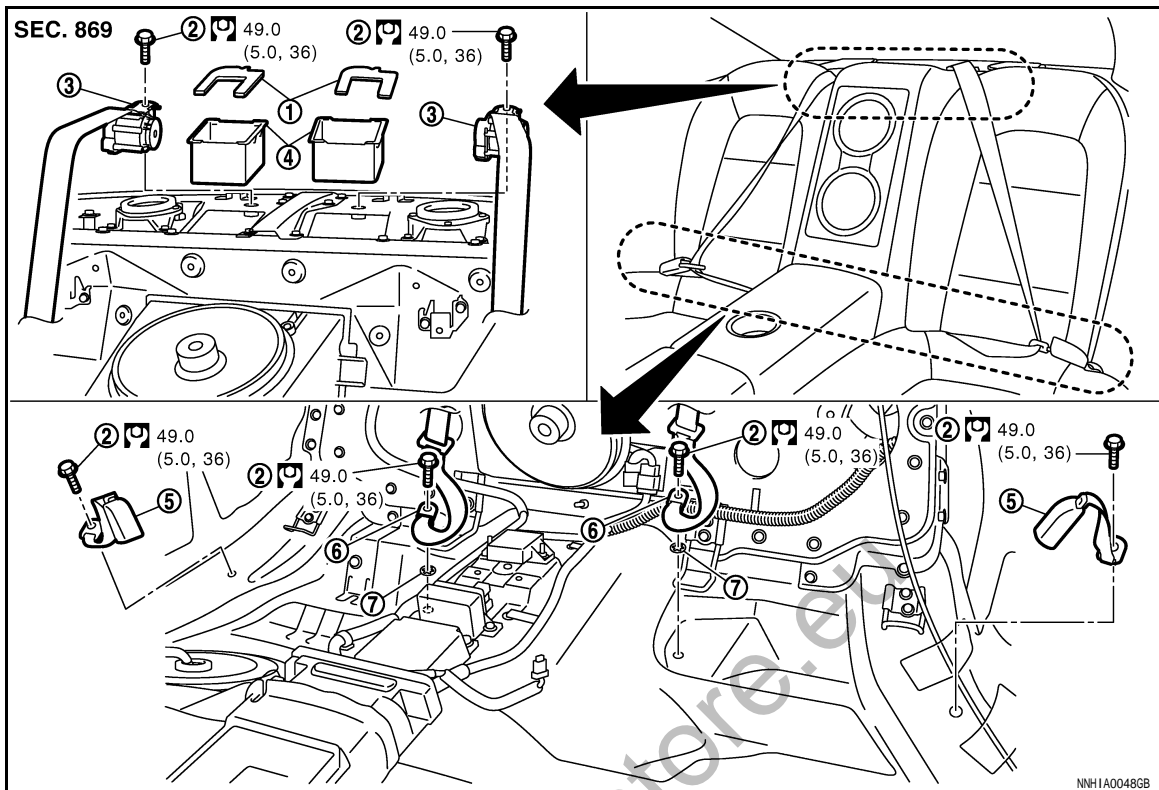
3. Replace the seat belt assembly if it does not operate normally.

REAR SEAT BELT

< ON-VEHICLE REPAIR >

SEAT BELT RETRACTOR : Exploded View

INFOID:000000003854557



- | | | |
|---------------------|---------------------|------------------------|
| 1. Insulator | 2. Anchor bolt | 3. Seat belt retractor |
| 4. Retractor cover | 5. Seat belt buckle | 6. Inner anchor |
| 7. Retaining washer | | |

Refer to [GI-4. "Components"](#) for symbols in the figure.

SEAT BELT RETRACTOR : Removal and Installation

INFOID:000000003854558

REMOVAL

1. Remove the inner anchor.
 - Remove rear seat cushion. Refer to [SE-40. "Removal and Installation"](#).
 - Remove the inner anchor mounting anchor bolts.
2. Remove the seat belt retractor.
 - Remove rear seatback. Refer to [SE-40. "Removal and Installation"](#).
 - Remove the kicking plate inners (LH/RH), rear side finishers (LH/RH), and rear pillar finishers (LH/RH). Refer to [INT-14. "Removal and Installation"](#).
 - Remove rear parcel shelf. Refer to [INT-17. "Removal and Installation"](#).
 - Remove the rear seat belt escutcheon from the rear parcel shelf.
 - Remove the insulator.
 - Remove the mounting anchor bolts, and then remove the seat belt retractor.
 - Remove the retractor cover.

INSTALLATION

Install in the reverse order of removal.

SEAT BELT BUCKLE

SEAT BELT BUCKLE : Inspection

INFOID:000000003854559

Post-accident inspection

After a collision, check all parts of the installed seat belt assembly (including the retractor). Then, check the installed seat belt portion for damage or deformation. When a collision occurs, damage/deformation is

REAR SEAT BELT

< ON-VEHICLE REPAIR >

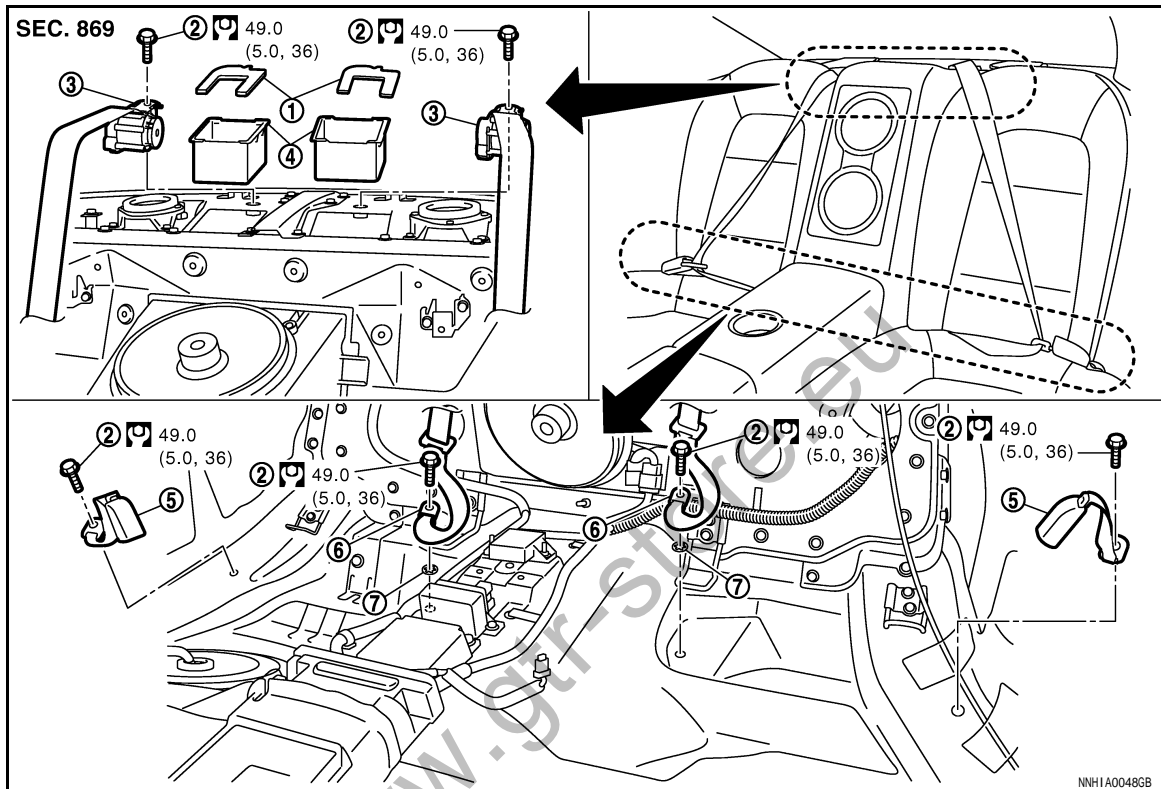
detected, or operation is not normal, NISSAN recommends replacement of seat belt assembly. If replacement is not performed, serious personal injury may occur.

If the following conditions occur, replace the seat belt:

- When the seat belt is damaged
- When the installed seat belt portion is damaged (before installing a new seat belt, check the installed portion for damage or deformation)
- When the seat belt does not operate normally

SEAT BELT BUCKLE : Exploded View

INFOID:000000003854560



- | | | |
|---------------------|---------------------|------------------------|
| 1. Insulator | 2. Anchor bolt | 3. Seat belt retractor |
| 4. Retractor cover | 5. Seat belt buckle | 6. Inner anchor |
| 7. Retaining washer | | |

Refer to [GI-4, "Components"](#) for symbols in the figure.

SEAT BELT BUCKLE : Removal and Installation

INFOID:000000003854561

REMOVAL

Remove the seat belt buckle.

- Remove rear seat cushion. Refer to [SE-40, "Removal and Installation"](#).
- Remove the seat belt buckle mounting anchor bolts.

INSTALLATION

Install in the reverse order of removal.

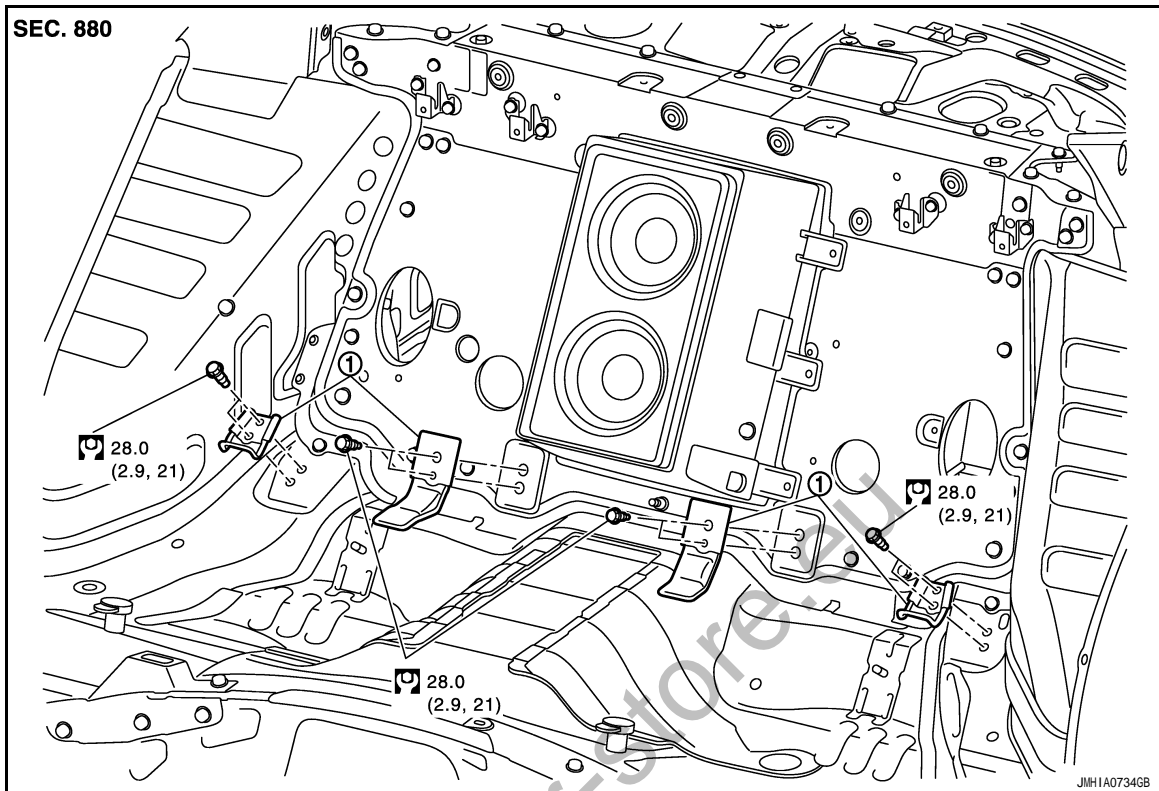
LATCH SYSTEM FOR CHILDREN

< ON-VEHICLE REPAIR >

LATCH SYSTEM FOR CHILDREN

Exploded View

INFOID:000000004063225



1. LATCH system

Refer to [GI-4, "Components"](#) for symbols in the figure.

Removal and Installation

INFOID:000000004063226

REMOVAL

CAUTION:

Replace anchor bolts if they are deformed or worn out.

1. Remove the rear seat cushion. Refer to [SE-40, "Removal and Installation"](#).
2. Remove LATCH (Lower Anchor and Tether for Children) system.

INSTALLATION

Install in the reverse order of removal.

A
B
C
D
E
F
G
SB
I
J
K
L
M
N
O
P

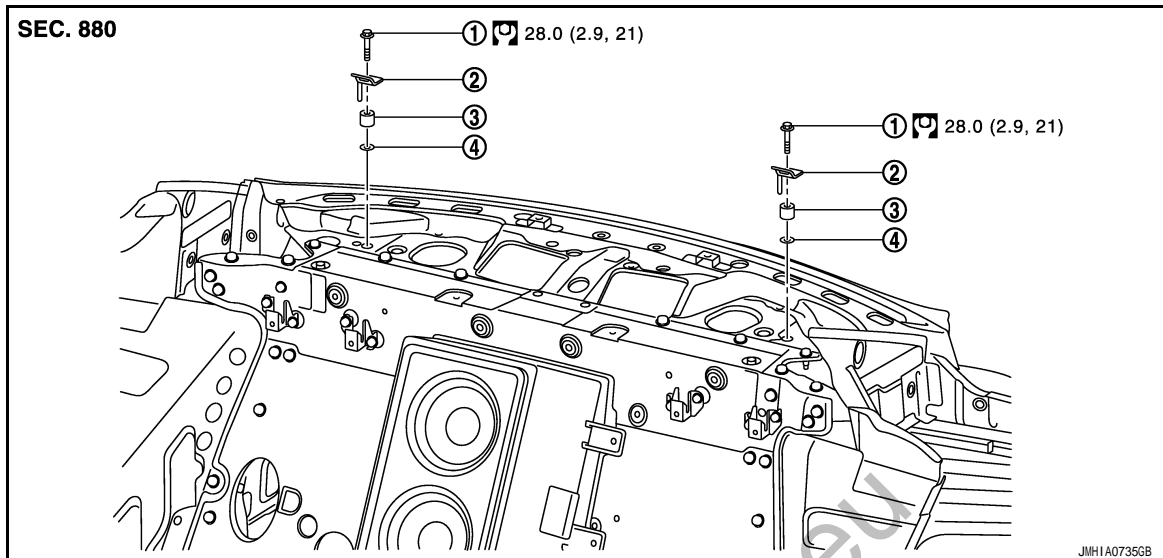
TOP TETHER STRAP CHILD RESTRAINT

< ON-VEHICLE REPAIR >

TOP TETHER STRAP CHILD RESTRAINT

Exploded View

INFOID:000000004063227



- 1. Anchor bolt
- 2. Anchor plate
- 3. Spacer
- 4. Fiber washer

Refer to [GI-4, "Components"](#) for symbols in the figure.

Removal and Installation

INFOID:000000004063228

REMOVAL

CAUTION:

Replace anchor bolts if they are deformed or worn out.

1. Remove the rear parcel shelf. Refer to [INT-17, "Removal and Installation"](#).
2. Remove the top tether strap child restraint.

INSTALLATION

Install in the reverse order of removal.